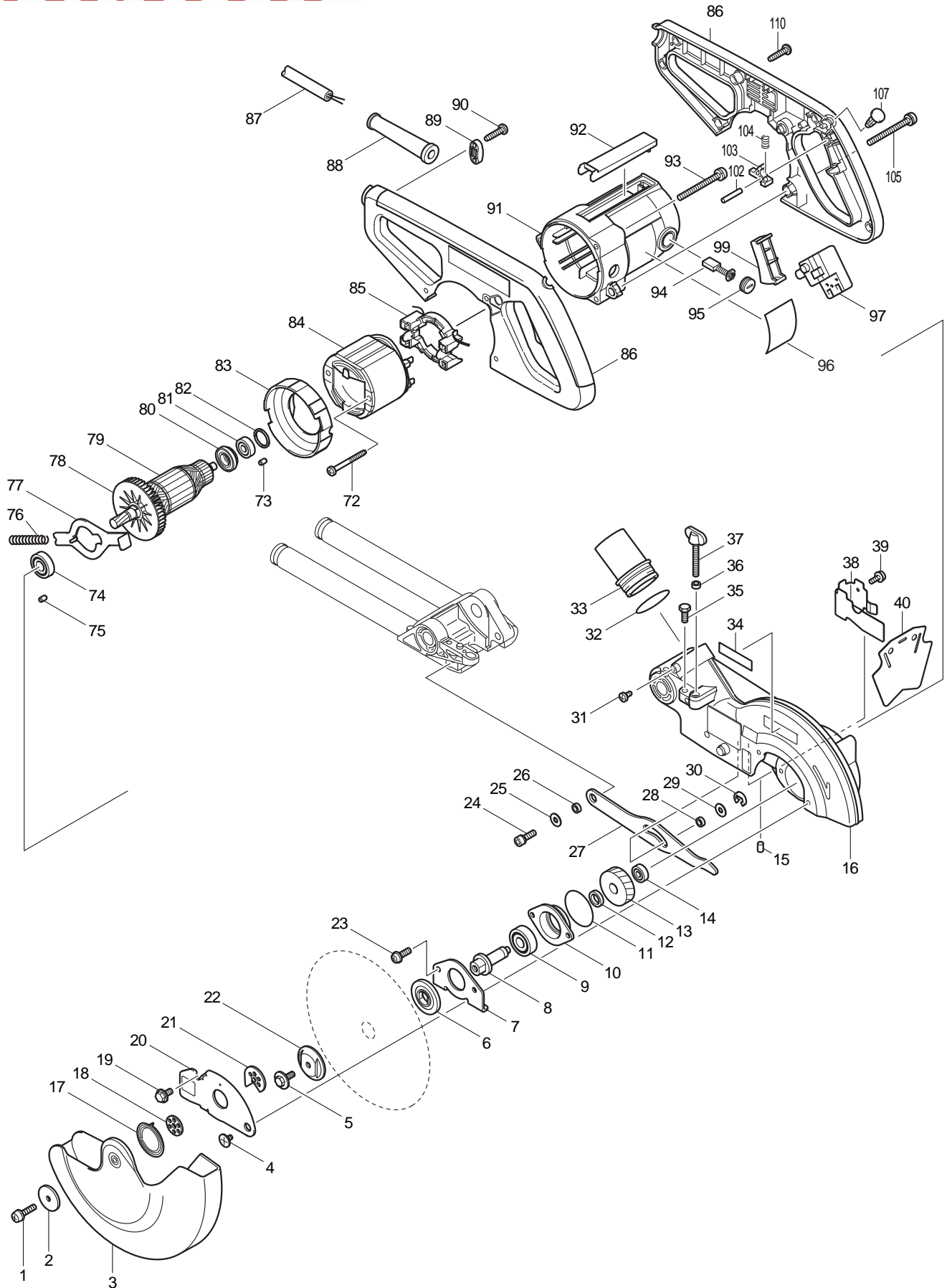
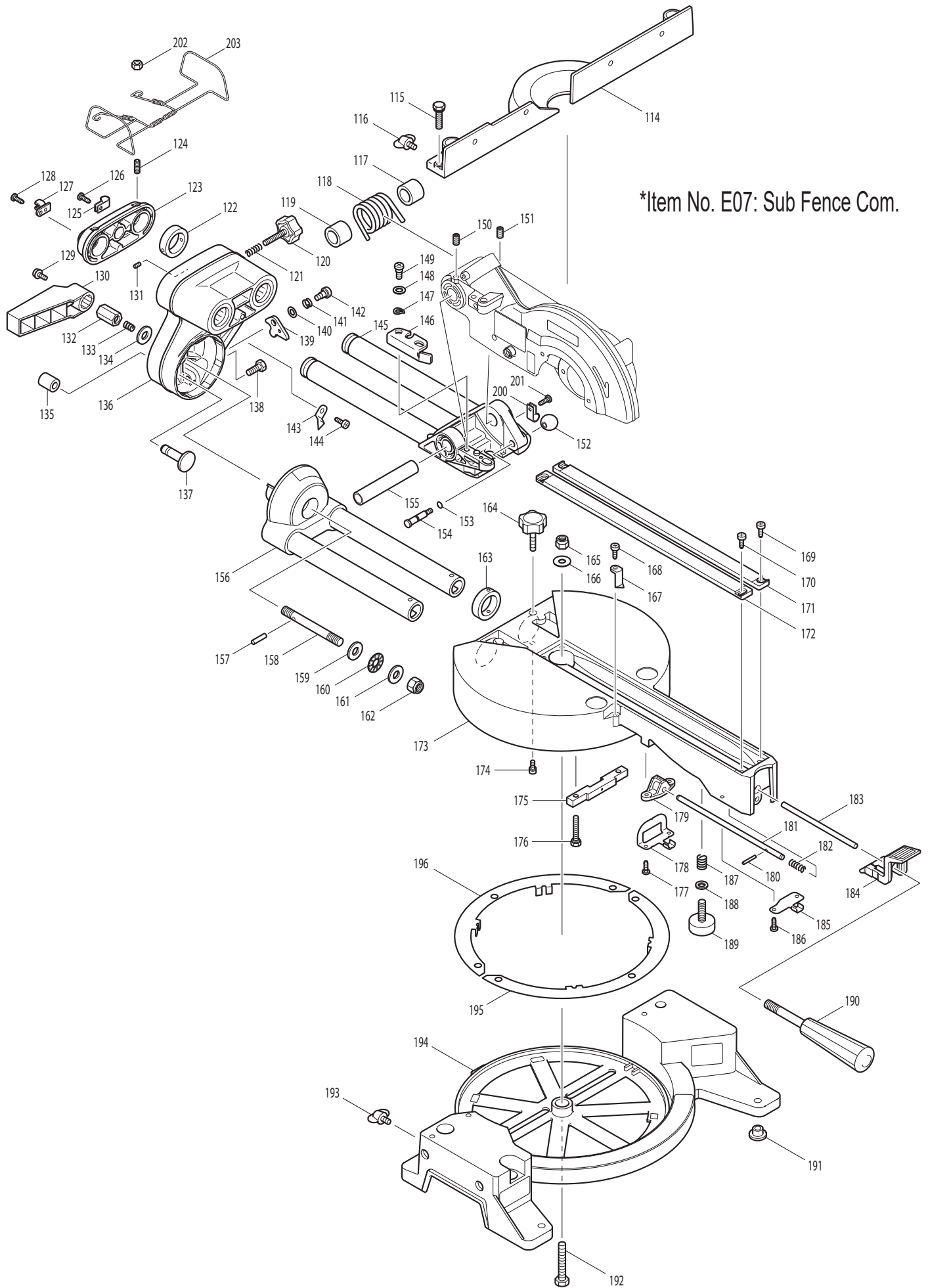




03 - 2010
LS0714 / LS0714B
7-1/2" SLIDE COMPOUND MITRE SAW





*Item No. E07: Sub Fence Com.

PARTS LIST

Item No	Type	Part No	Description	Qty	Unit
001	2	265491-4	HEX SOCKET BUTTON HEAD M5X16	1	PC.
002		267136-0	FLAT WASHER 5	1	PC.
003	5	458785-6	SAFETY COVER	1	PC.
004		265008-3	+ FLAT HEAD SCREW K5	1	PC.
005	2	266733-9	HEX.BOLT M6X16	1	PC.
006		224151-7	INNER FLANGE 40	1	PC.
007		285715-2	BEARING RETAINER 55	1	PC.
008		323798-5	SPINDLE	1	PC.
009		211129-9	BALL BEARING 6201DDW	1	PC.
010		317037-3	BEARING BOX	1	PC.
011		213565-5	O RING 42	1	PC.
012		257010-0	RING 12	1	PC.
013		226497-7	HELICAL GEAR 47	1	PC.
014		211021-9	BALL BEARING 607LLB	1	PC.
015		263005-3	RUBBER PIN 6	1	PC.
016	3	154507-9	BLADE CASE COMPLETE	1	PC.
016	3	INC. 817667-5	CAUTION LABEL	1	PC.
016	3	INC.	Item No. 15,75		
017		231934-8	SPIRAL SPRING 26	1	PC.
018	3	344639-2	CENTER WASHER	1	PC.
019	2	266732-1	HEX.SOCKET HEAD BOLT M6X16	1	PC.
020		344641-5	CENTER COVER	1	PC.
021	3	345410-7	* CENTER PLATE	1	PC.
021	4	345585-2	* CENTER PLATE	1	PC.
022		224275-9	OUTER FLANGE 40	1	PC.
023		911223-4	PAN HEAD SCREW M5X16	2	PC.
024		922331-6	HEX. SOCKET HEAD BOLT M6X20	1	PC.
025		253804-1	FLAT WASHER 6	1	PC.
026		257163-5	RING 6	1	PC.
027	3	345411-5	* LINK PLATE	1	PC.
027	4	154643-1	* LINK PLATE COMPLETE	1	PC.
028		257163-5	RING 6	1	PC.
029		253804-1	FLAT WASHER 6	1	PC.
030		961018-5	STOP RING E-5	1	PC.
031		266061-2	TAPPING SCREW	1	PC.
032		213460-9	O RING 35	1	PC.
033	2	419277-0	DUST NOZZLE	1	PC.
035	2	266757-5	HEX. SOCKET HEAD BOLT M6X16	1	PC.

Item No	Type	Part No	Description	Qty	Unit
036	2	262190-9	URETHANE RING 5	1	PC.
037		265717-4	SCREW M6X43	1	PC.
038		345438-5	GUARD PLATE	1	PC.
039		911113-1	PAN HEAD SCREW M4X10	1	PC.
040		423333-0	GUARD	1	PC.
072		266046-8	TAPPING SCREW 5X50	2	PC.
073		263002-9	RUBBER PIN 4	1	PC.
074		211101-1	BALL BEARING 6001LLB	1	PC.
075		263002-9	RUBBER PIN 4	1	PC.
076		233092-6	COMPRESSION SPRING 5	1	PC.
077		344642-3	SHAFT LOCK	1	PC.
078		240030-1	FAN 70	1	PC.
079		510063-3	ARMATURE ASS'Y 115V	1	PC.
079	INC.		Item No. 74,78,80,81		
080		681644-1	INSULATION WASHER	1	PC.
081		211031-6	BALL BEARING 608LLB	1	PC.
082		261110-0	URETHANE WASHER 18	1	PC.
083		416537-1	BAFFLE PLATE	1	PC.
084		634306-0	FIELD 115V	1	PC.
085		632847-0	SUPPORT COMPLETE	1	PC.
086	1	183876-1	HANDLE SET	1	SET
086	1	INC. 810642-0	CAUTION LABEL	1	PC.
086	2	183L39-1	HANDLE SET	1	SET
086	2	INC. 818L93-3	CAUTION LABEL	1	SET
087	1	664059-7	CORD W/PLUG 2P-18-3.0M	1	PC.
088		682503-2	CORD GUARD 8-90	1	PC.
089	2	687123-7	STRAIN RELIEF (BLACK)	1	PC.
090	3	265995-6	TAPPING SCREW 4X18	2	PC.
091	1	151822-2	MOTOR HOUSING COMPLETE	1	PC.
091	1	INC.	Item No. 73		
091	1	INC. 817881-3	CAUTION LABEL	1	PC.
091	1	INC. 643708-9	BRUSH HOLDER 5-11	2	PC.
091	2	140H20-1	MOTOR HOUSING COMPLETE	1	PC.
091	2	INC.	Item No. 73		
091	2	INC. 818L78-9	CAUTION LABEL	1	PC.
091	2	INC. 643708-9	BRUSH HOLDER 5-11	2	PC.
092		416538-9	UPPER COVER	1	PC.
093		911273-9	PAN HEAD SCREW M5X50	3	PC.
094	2	194996-6	CARBON BRUSH CB-303 2PC/SET (W/ ORIGIN)	1	SET

Item No	Type	Part No	Description	Qty	Unit
095		643755-0	HOLDER CAP	2	PC.
096		862821-6	NAME PLATE F/LS0714	1	PC.
097		651923-1	SWITCH TG70B	1	PC.
099	2	452130-7	SWITCH LEVER	1	PC.
102		256098-7	PIN 5	1	PC.
103		416533-9	LOCK OFF LEVER	1	PC.
104		231026-3	COMPRESSION SPRING 4	1	PC.
105		911273-9	PAN HEAD SCREW M5X50	3	PC.
107	2	417113-4	SWITCH BUTTON	1	PC.
110	3	265995-6	TAPPING SCREW 4X18	5	PC.
114	3	319191-9	GUIDE FENCE	1	PC.
115	2	922344-7	HSH BOLT M6X25 WITH WG	3	PC.
116		251887-5	SCREW M6X10	1	PC.
117		416535-5	SLEEVE 17	1	PC.
118	2	232559-1	TORSION SPRING 29	1	PC.
119		416535-5	SLEEVE 17	1	PC.
120		251897-2	SCREW M6X33	1	PC.
121		231325-3	COMPRESSION SPRING 6	1	PC.
122		257214-4	RING 26	1	PC.
123		317617-5	PIPE HOLDER	1	PC.
124		266208-8	H.S.SET SCREW(CUP POINT)M6X8 F/LS0714	2	PC.
124B		913336-7	SET SCREW M6X20 F/LS0714B	2	PC.
125	3	687042-7	STRAIN RELIEF	1	PC.
126		266026-4	TAPPING SCREW BIND CT 4X12	1	PC.
127	2	687045-1	* STRAIN RELIEF	1	PC.
129		911113-1	PAN HEAD SCREW M4X10	1	PC.
130		416006-2	LEVER 100	1	PC.
131		913106-4	SET SCREW M4X8	1	PC.
132		252144-4	HEX. NUT M10-17	1	PC.
133		231266-3	COMPRESSION SPRING 5	1	PC.
134		253024-7	FLAT WASHER 10	1	PC.
135		286236-7	CAP 16	1	PC.
136		153463-0	ARM COMPLETE	1	PC.
137		324295-4	RELEASE PIN	1	PC.
138	2	266757-5	HEX. SOCKET HEAD BOLT M6X16	2	PC.
139		345299-3	STOPPER PLATE	1	PC.
140		253726-5	FLAT WASHER 6	1	PC.
141		231663-3	TORSION SPRING 8	1	PC.
142		265113-6	+PAN HEAD SCREW J5	1	PC.

Item No	Type	Part No	Description	Qty	Unit
143		343678-9	POINTER	1	PC.
144		266026-4	TAPPING SCREW BIND CT 4X12	1	PC.
145		153462-2	FRONT ARM COMPLETE	1	PC.
146		344643-1	STOPPER ARM	1	PC.
147		253948-7	WAVE WASHER 8	1	PC.
148		253835-0	FLAT WASHER 8	1	PC.
149		251267-5	+ PAN HEAD SCREW K6	1	PC.
150		251961-9	H.S.SET SCREW(FLAT POINT)M6X10	1	PC.
151		251961-9	H.S.SET SCREW(FLAT POINT)M6X10	1	PC.
152		271601-3	KNOB 20	1	PC.
153		213021-5	O RING 5	1	PC.
154		324183-5	STOPPER PIN	1	PC.
155	2	327404-4	PIN 16-90	1	PC.
156		153482-6	ARM HOLDER COMPLETE	1	PC.
156	INC.	816392-5	BEVEL SCALE LABEL	1	PC.
157		256100-6	PIN 5	1	PC.
158		266320-4	SCREW M10	1	PC.
159		253024-7	FLAT WASHER 10	1	PC.
160		216413-7	THRUST NEEDLE CAGE 1024	1	PC.
161		253024-7	FLAT WASHER 10	1	PC.
162		252130-5	HEX. LOCK NUT M10-17	1	PC.
163		257214-4	RING 26	1	PC.
164		251897-2	SCREW M6X33	1	PC.
165		252105-4	HEX. LOCK NUT M8-13	1	PC.
166		253731-2	FLAT WASHER 8	1	PC.
167		416355-7	INDICATION PLATE	1	PC.
168		266026-4	TAPPING SCREW BIND CT 4X12	1	PC.
169		266026-4	TAPPING SCREW BIND CT 4X12	2	PC.
170		266026-4	TAPPING SCREW BIND CT 4X12	2	PC.
171		417993-8	KERF BOARD	1	PC.
172		417993-8	KERF BOARD	1	PC.
173	2	135510-9	* TURN BASE, BASE & ARM ASSEMBLY	1	PC.
173	3	140H18-8	TURN BASE COM.	1	PC.
173	3	INC. 816787-2	INDICATION LABEL	1	PC.
173	3	INC. 818L74-7	CAUTION LABEL	1	PC.
173	3	INC. 818L86-0	CAUTION LABEL	1	PC.
173	3	INC. 813L22-1	CAUTION LABEL	2	PC.
173	3	INC. 818L87-8	CAUTION LABEL	1	PC.
173	3	INC. 344638-4	CAP 35	2	PC.

Item No	Type	Part No	Description	Qty	Unit
173	3	INC. 263005-3	RUBBER PIN 6	1	PC.
173	3	INC. 262077-5	FELT RING 25	4	PC.
174		922111-0	HEX. SOCKET HEAD BOLT M4X10	1	PC.
175		153580-6	SQUARE ROD COMPLETE	1	PC.
175		INC. 263005-3	RUBBER PIN 6	1	PC.
176		925251-3	HEX.BOLT M5X30	2	PC.
177		266034-5	TAPPING SCREW CT 4X16	2	PC.
178		344601-7	LOCK PLATE	1	PC.
179		317616-7	PIN HOLDER	1	PC.
180	2	256158-5	PIN 3	1	PC.
181		324288-1	LOCK PIN	1	PC.
182		231325-3	COMPRESSION SPRING 6	1	PC.
183		324289-9	ROD 6	1	PC.
184		416450-3	LOCK LEVER	1	PC.
185		345272-3	LOCK LEVER PLATE	1	PC.
186		266034-5	TAPPING SCREW CT 4X16	2	PC.
187		231418-6	COMPRESSION SPRING 9	1	PC.
188		253731-2	FLAT WASHER 8	1	PC.
189	2	266432-3	ADJUST BOLT M8X27	1	PC.
190		273515-2	GRIP 32	1	PC.
191		286212-1	CAP 20	5	PC.
192		921472-5	HEX. BOLT M8X50	1	PC.
193	2	911318-3	SCREW M6X14 W/WR	2	PC.
194		154506-1	BASE COMPLETE	1	PC.
194		INC. 816339-9	MITER SCALE PLATE (31.6D) (OLD# 816339-9 (30D)	1	PC.
194		INC. 817838-4	CAUTION LABEL	1	PC.
195		344646-5	SLIDE PLATE	1	PC.
196		344646-5	SLIDE PLATE	1	PC.
200		687095-6	STRAIN RELIEF F/LS0714B	1	PC.
201		266026-4	TAPPING SCREW BIND CT 4X12 F/LS0714B	1	PC.
202		931302-2	HEX. NUT M6 F/ Item no. A13 194175-6 (F/LS0714B)	2	PC.
203		168429-7	STAY F/ Item no. A13 194175-6 (F/LS0714B)	1	PC.
A01	2	122852-0	DUST BAG ASS'Y	1	PC.
A01	2	INC. 410602-8	FASTENER	1	PC.
A01B		194175-6	DUST BOX SET (See Parts breakdown 194175-6)	1	PC.
A02		122571-8	VERTICAL VICE ASS'Y	1	PC.
A02		INC. 253804-1	FLAT WASHER 6	1	PC.
A02		INC. 316938-2	WISE ARM	1	PC.
A02		INC. 251887-5	SCREW M6X10	1	PC.

Item No	Type	Part No	Description	Qty	Unit
A02		INC. 322313-2	WISE ROD	1	PC.
A02		INC. 265733-6	THUMB SCREW M10X60	1	PC.
A02		INC. 343651-9	WISE PLATE	1	PC.
A02		INC. 251370-2	+ PAN HEAD SCREW J5	1	PC.
A04		762001-3	TRIANGULAR RULE	1	PC.
A05		322312-4	HOLDER	2	PC.
A06		A-90629	7-1/2" C.T. BLADE 40T (5/8" ARBOR)	1	PC.
A06	Opt.	A-94487	7-1/2" C.T. BLADE 72T (5/8" ARBOR) (Optional)	1	PC.
A07	2	783203-8	HEX. WRENCH 5	1	PC.
A09		127056-9	HOLDER ASSY	2	PC.
A09		INC. 265785-7	THUMB SCREW M5X10	4	PC.
A09		INC. 265917-6	ADJUST BOLT M8X42	4	PC.
A10		122567-9	HORIZONTAL VISE ASSY	1	PC.
A11		122472-0	SET PLATE	1	PC.
A12		257019-2	ADAPTOR RING 20X1.6X5/8" (FOR BLADE)	1	PC.
A13		256812-1	ROD 12	1	PC.
A14	1	194943-7	SLIDE MITRE SAW STAND C (Partsbreakdown available)	1	PC.
A14	2	198687-1	SLIDE MITRE SAW STAND C WST01	1	PC.
A15		198688-9	STAND B SET	1	PC.
C01		848212-5	CARTON F/LS0714	1	PC.
D01		654020-2	RING TERMINAL	2	PC.
D03	2	654555-3	CONNECTOR 34130	2	PC.
E07		140H23-5	* SUB FENCE COMPLETE	1	PC.
E07		INC. 818L95-9	* CAUTION LABEL	1	PC.
E08		252014-7	* HEX LOCK NUT M6-10	1	PC.
E09		266061-2	* TAPPING SCREW BIND CT 4X8	1	PC.
E10		345359-1	* SUB FRENCE PLATE	1	PC.
E11		912357-6	* COUNTERSUNK HEAD SCREW M6X35	1	PC.
E12		253804-1	* FLAT WASHER 6	1	PC.
Note:			*Item No. "B" if for LS0714B		

SERVICE CHANGES

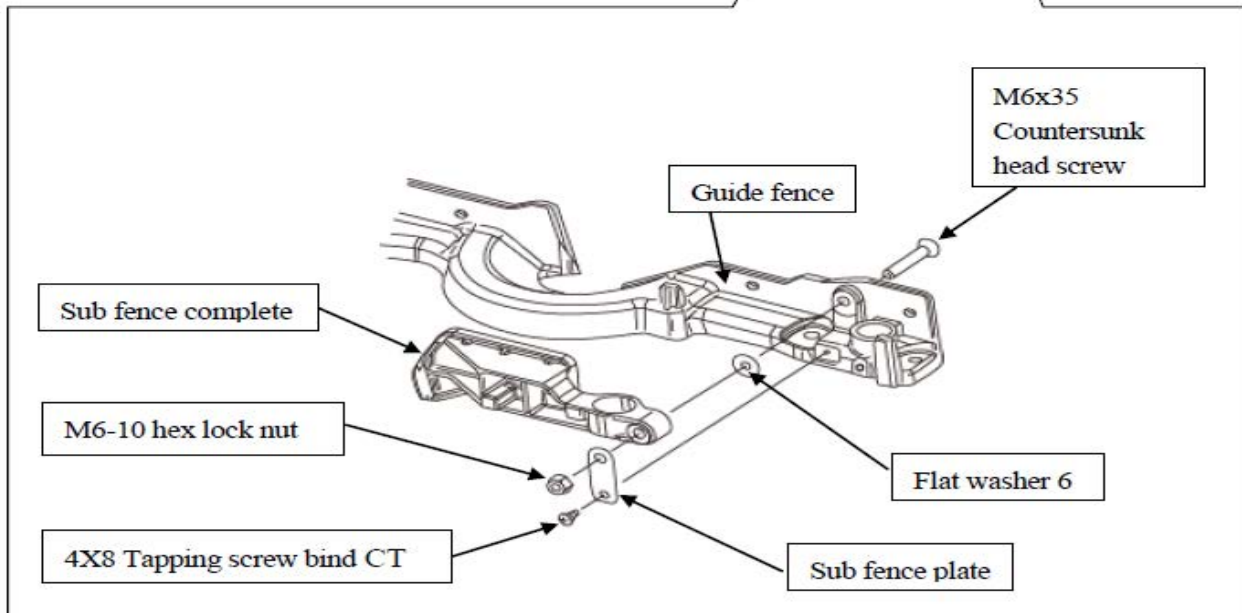
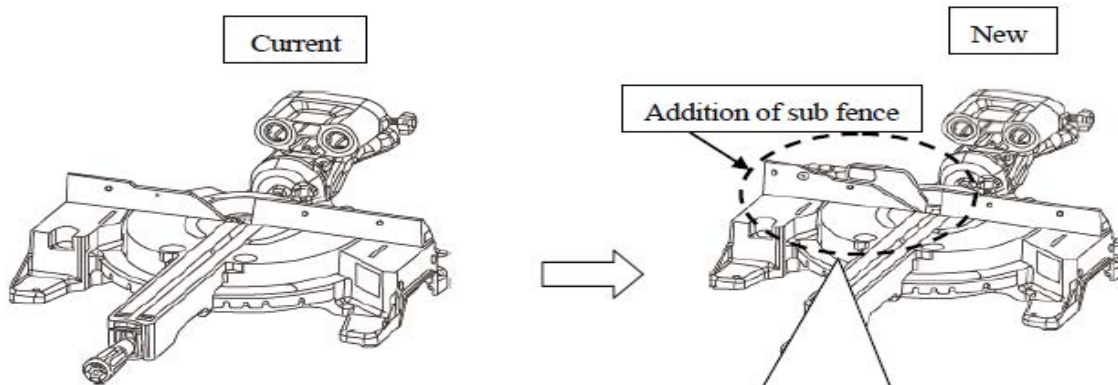
LS0714 / LS0714B

1. Additions of Sub Fence Complete, Hex Lock Nut, Sub Fence Plate, Flat Washer 6, Tapping Screw Bind CTM4x8, Countersunk Head Screw M6x35

(T/I#C5137)

Item No.	Description	Type 1	Type 2
E07	SUB FENCE COMPLETE	-----	140H23-5
E08	HEX. LOCK NUT M6-10	-----	252014-7
E10	SUB FENCE PLATE	-----	345359-1
E12	FLAT WASHER	-----	253804-1
E09	TAPPING SCREW BIND CT M4X8	-----	266061-2
E11	COUNTERSUNK HEAD SCREW M6X35	-----	912357-6

Sub fence has been added.



2. Changes on Center Plate and Link Plate

Tapping Screw Bind CTM4x8, Countersunk Head Screw M6x35

(T/I#CZ49909)

Item No.	Description	Type 3	Type 4
21	Center Plate	345410-7	345585-2
27	Link Plate	345411-5	154643-1

Above parts are interchangeable as a set.

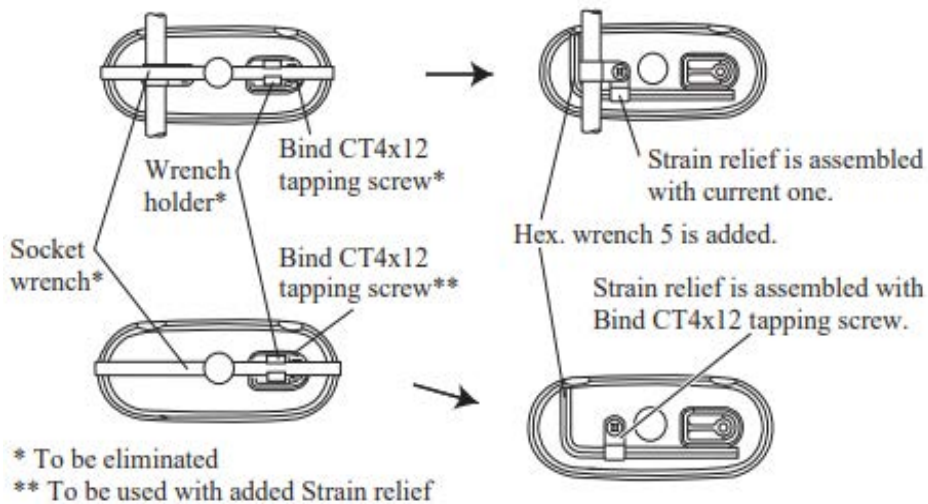
3. Changes on Center Plate and Link Plate

Tapping Screw Bind CTM4x8, Countersunk Head Screw M6x35

(T/I#CZ49909)

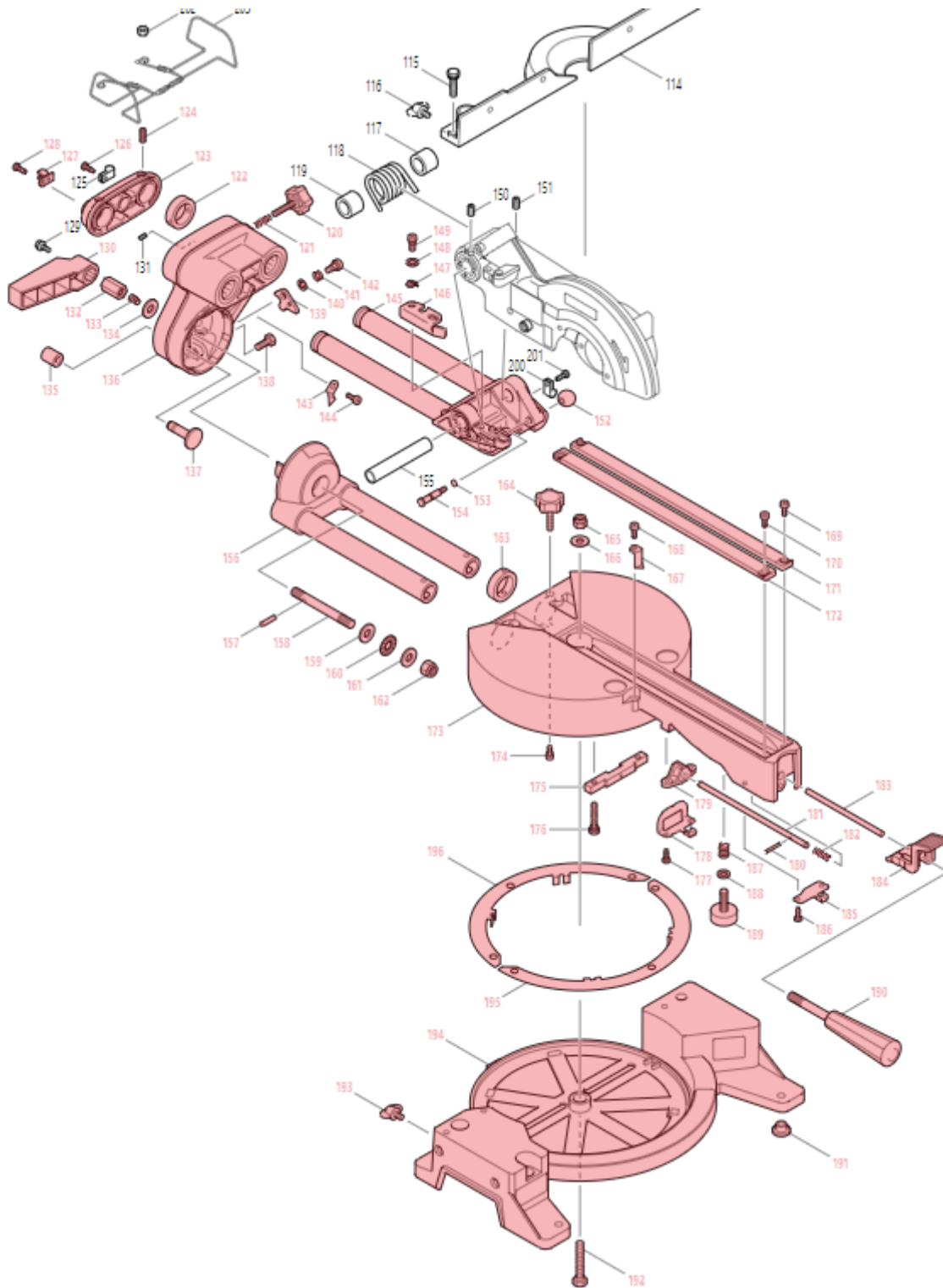
Item No.	Description	Type 1	Type 4
127	Wrench Holder --> Strain Relief	416536-3	687045-1
128	Tapping Screw Bind CT4x12	266026-4	----
A05	Socket Wrench ---> Hex. Wrench 5	782223-9	783203-8

Above parts are not interchangeable.



LS0714

Turn Base, Base & Arm Assembly Set
1350735-CA or 135510-9



Item No.	Parts No.	Description	Q'ty
120	251897-2	SCREW M6X33	1
121	231325-3	COMPRESSION SPRING 6	1
122	257214-4	RING 26	1
123	317617-5	PIPE HOLDER	1
124	266208-8	H.S.SET SCREW(CUP POINT)M6X8	2
127	416536-3	WRENCH HOLDER	1
130	416006-2	LEVER 100	1
132	252144-4	HEX. NUT M10-17	1
133	231266-3	COMPRESSION SPRING 5	1
134	253024-7	FLAT WASHER 10	1
135	286236-7	CAP 16	1
136	153463-0	ARM COMPLETE	1
137	324295-4	RELEASE PIN	1
138	265381-1	HEX BOLT M6X16	2
139	345299-3	STOPPER PLATE	1
140	253726-5	FLAT WASHER 6	1
141	231663-3	TORSION SPRING 8	1
142	265113-6	+PAN HEAD SCREW M5	1
143	343678-9	POINTER	1
126	266026-4	TAPPING SCREW BIND CT 4X12	1
128	266026-4	TAPPING SCREW BIND CT 4X12	1
144	266026-4	TAPPING SCREW BIND CT 4X12	1
168	266026-4	TAPPING SCREW BIND CT 4X12	1
169	266026-4	TAPPING SCREW BIND CT 4X12	1
145	153462-2	FRONT ARM COMPLETE	1
146	344643-1	STOPPER ARM	1
147	253948-7	WAVE WASHER 8	1
148	253835-0	FLAT WASHER 8	1
149	251267-5	+ PAN HEAD SCREW M6	1
152	271601-3	KNOB 20	1
153	213021-5	O RING 5	1
154	324183-5	STOPPER PIN	1
156	153482-6	ARM HOLDER COMPLETE	1
157	256100-6	PIN 5	1
158	266320-4	SCREW M10	1
159	253024-7	FLAT WASHER 10	1
160	216413-7	THRUST NEEDLE CAGE 1024	1
161	253024-7	FLAT WASHER 10	1
162	252130-5	HEX. LOCK NUT M10-17	1
163	257214-4	RING 26	1

Item No.	Parts No.	Description	Q'ty
164	251897-2	SCREW M6X33	1
165	252105-4	HEX. LOCK NUT M8-13	1
166	253731-2	FLAT WASHER 8	1
167	416355-7	INDICATION PLATE	1
170	266026-4	TAPPING SCREW BIND CT 4X12	2
171	417993-8	KERF BOARD	1
172	417993-8	KERF BOARD	1
173	154687-1	TURN BASE COMPLETE	1
174	922111-0	HEX. SOCKET HEAD BOLT M4X10	1
175	153580-6	SQUARE ROD COMPLETE	1
176	925251-3	HEX.BOLT M5X30	2
177	266034-5	TAPPING SCREW CT 4X16	2
178	344601-7	LOCK PLATE	1
179	317616-7	PIN HOLDER	1
180	256158-5	PIN 3	1
181	324288-1	LOCK PIN	1
182	231325-3	COMPRESSION SPRING 6	1
183	324289-9	ROD 6	1
184	416450-3	LOCK LEVER	1
185	345272-3	LOCK LEVER PLATE	1
186	266034-5	TAPPING SCREW CT 4X16	2
187	231418-6	COMPRESSION SPRING 9	1
188	253731-2	FLAT WASHER 8	1
189	266432-3	ADJUST BOLT M8X27	1
190	273515-2	GRIP 32	1
191	286212-1	CAP 20	5
193	251887-5	SCREW 6X10	2
194	---	BASE COMPLETE	1
195	344646-5	SLIDE PLATE	1
196	344646-5	SLIDE PLATE	1